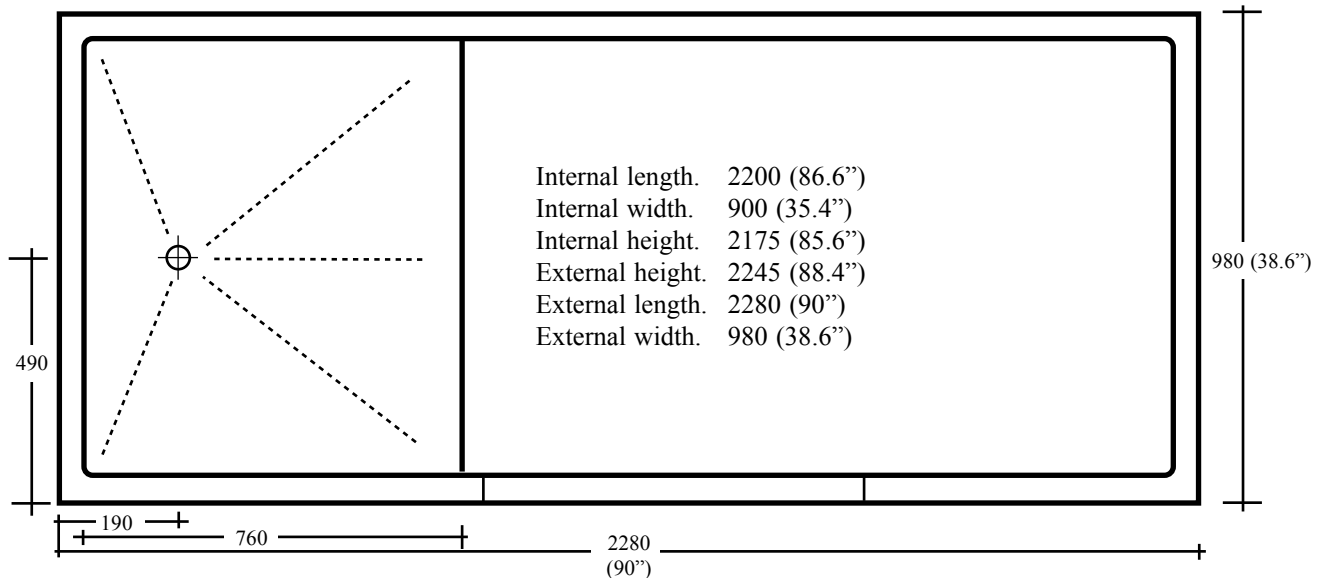


ADD-A-BATHROOM

FP1000 SPECIAL



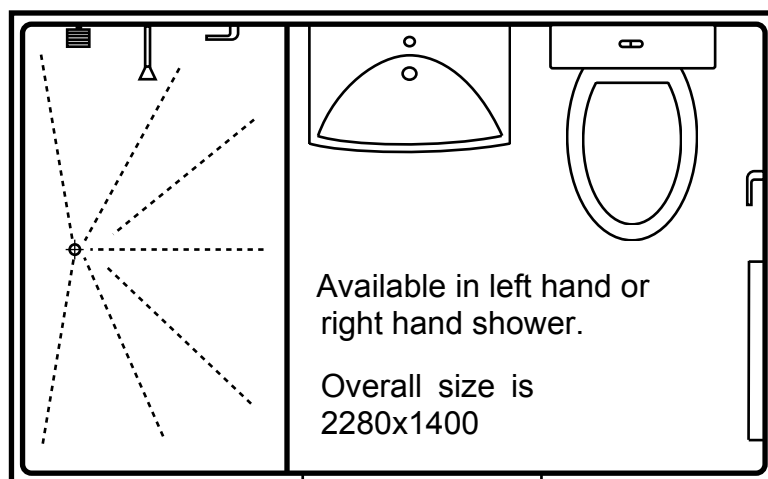
(comes standard with wall mounted ceramic basin, vanity unit shown at additional cost of \$160.00.)



Includes; FP1000 Bathroom Module. Auspex pressure tested hot and cold pipe kit, chrome wall and basin mixers, mini stop to toilet cistern including connection flex hose, wall mounted ceramic basin with plug & waste, combination basin trap, shower floor waste fitting, mirror, towel rail, toilet roll holder, soap dish, dual flush toilet suite. All fittings pre fitted either fully assembled or pre fitted then loose supplied in flat packed form, ready for site re assembly. Installation on site is not included. Prices are ex factory. Limited stock available, units are in smooth finish, colour is White w/ white sanitary ware.

ADD-A-BATHROOM

FP1400 SPECIAL



Includes; FP1400 Bathroom Module. Auspex pressure tested hot and cold pipe kit, chrome wall and basin mixers, mini stop to toilet cistern including connection flex hose, vanity unit with ceramic basin with plug & waste, combination basin trap, shower floor waste fitting, mirror, towel rail, toilet roll holder, soap dish, dual flush toilet suite. All fittings pre fitted either fully assembled or pre fitted then loose supplied in flat packed form, ready for site re assembly. Installation on site is not included. Prices are ex factory. Limited stock available, units are in smooth finish, colour is White w/ white sanitary ware. (shower screen can be included at an additional \$472.00)

